

## APPLICATION DETAILS

### TRADPAN P.F. CEILING: Plasterboard X.P.M.

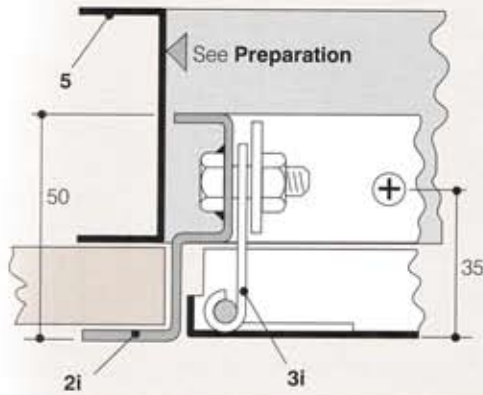


Fig. 4

### TRADPAN P.F. WALL: Masonry

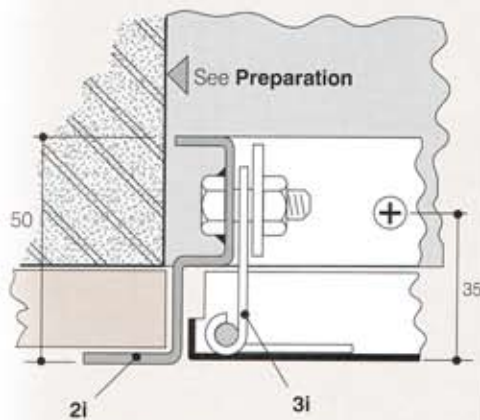


Fig. 6

## APPLICATIONS

### Uses

Suited for use only in those structures shown on this page and listed overleaf excluding those used for fire protection or separation purposes.

### CONSTRUCTION Preparation

Form a clear aperture in the structure at the access point of the following size:

(H + 8mm) x (W + 8mm)

For MASONRY applications pack out the opening with timber linings (max. 15mm thick) where necessary.

For CEILING applications ensure that the aperture framing members **5** in the M/F suspension systems are sufficiently deep for span purposes, and for the purpose of screw fixing the panel frames **2i** and **2ii** to **5**'s webs at a height of 35mm from the ceiling face.

### OPERATION

To open panels, remove plastic plug **4** at keyhole positions [see Fig.3 overleaf] by fingernail lift. Insert budget lock key into keyhole and turn anti-clockwise supporting door weight during this action.

When closing the door, do so with care.

After the leading edge of the door enters the panel frame insert budget lock key into keyhole and turn clockwise.

Replace plastic plug **4**.

### Sitework Instructions

**A** Unlock the door as described in **OPERATION**.

**B** Remove the door from the frame by releasing the nuts on welded M6 screws. Safeguard the removed nuts and washers.

**C** Offer frame into the aperture formed as **Preparation** above. Screw fix through pre-punched holes in both frame sides **W** to the aperture reveal. Ensure that the panel is square/plumb by fixing shims between frame and aperture as needed.

**D** Replace door by locating hinge **3i** over welded screws and refix using washers and nuts. Lock door and replace keyhole plug **4**.

### Availability

24 hrs delivery U.K. mainland for ex stock items.

### Advisory

If any of the information imparted here is not clear or is considered insufficient for the reader's purpose, Panelcraft would be pleased to assist. The information is correct at print point but may be subject to change at the management's discretion.

## APPLICATION DETAILS

### TRADPAN S.B.F. CEILING: Drylined M/F

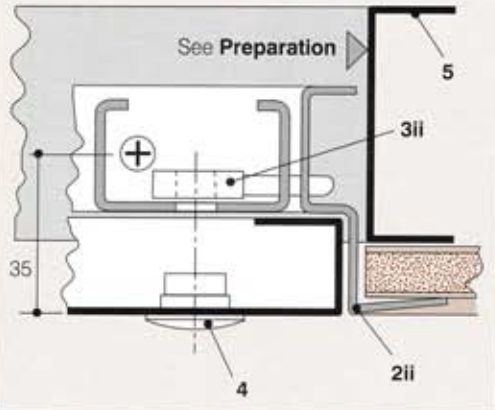


Fig. 5

### TRADPAN S.B.F. WALL: Drywall stud

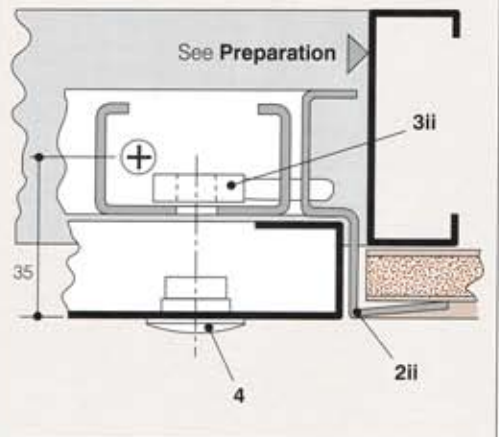


Fig. 7

